

# Coyote Bubble Panel

This addition to the Coyote popup system is a unique way to make a statement in 3D. Draw others in with your message on this forward facing, convex panel. A backlight kit can be added for extra emphasis.



## Features and Benefits

- Quick to set up
- Creates a 3D display
- Backlight kit available
- Forward facing, convex panel
- Hardware can be stored with display in OCP case
- Panel can be fabric, opaque graphic, or rear illuminated graphic

## Dimensions

Graphic Dimensions: 31.5" w x 87.5625" h

Panel Depth when Assembled: 10"

## Additional Information

Ships in OCP Case with Coyote

Material:

Opaque - 22mil Opaque PVC

Translucent - 22mil Translucent PVC

Graphics: If printing own graphics, magnet must go directly to edge of panel

Backlight Kit Includes: 2 lights, connector piece, power cord

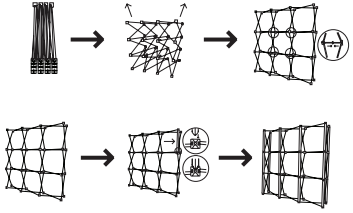
Available Options (all can be added to existing Coyote):

- Case to Counter conversion (roll or stretch wrap)
- Internal Shelf Kit
- Monitor Stand



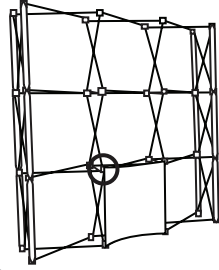
## Assembly

**1** Assemble frame: See pg 3 of Coyote Instructions, Steps 1-6

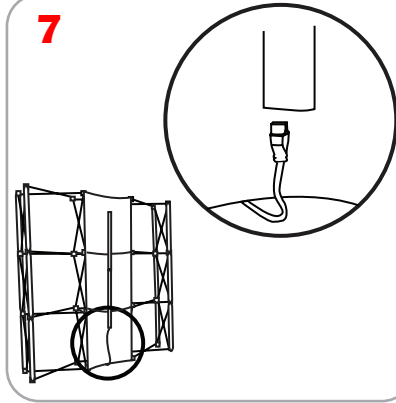


If not backlighting panel, skip to step 6

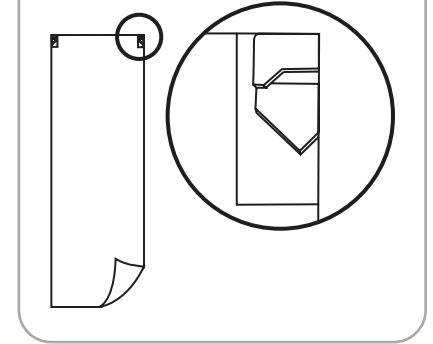
**2**



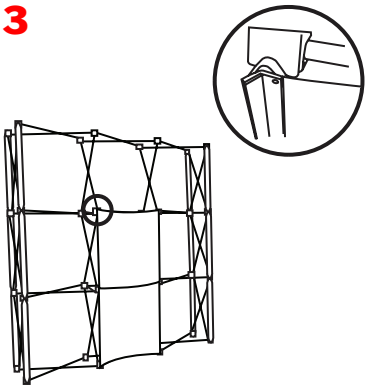
**7**



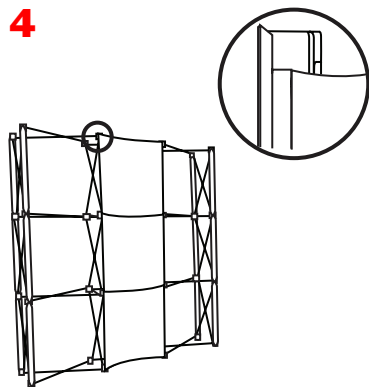
**8**



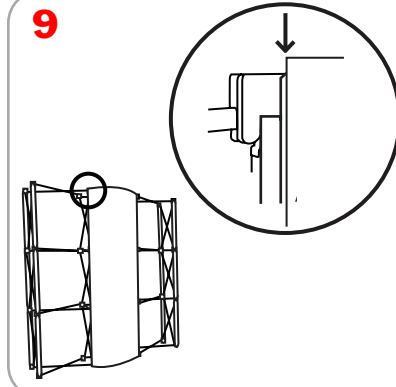
**3**



**4**



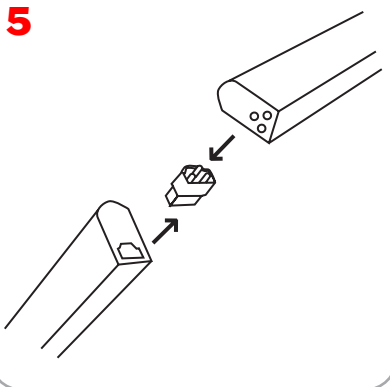
**9**



**10**



**5**



**6**

