

Coyote Internal Shelf

Our professionally finished internal shelf kit offers you the option of presenting products or marketing literature directly from the front face of your Coyote popup display.



Features and Benefits

- Quick assembly
- Two acrylic shelves
- Convenient placement
- Shelves can be 45 degrees or horizontal
- Great for products and/or literature
- Can be added to old or new Coyote system

Dimensions

Display Dimensions:

Height - 27" / 685.8mm
Width - 24.75" / 628.65mm
Depth - 12.75" / 323.85mm

Acrylic Shelf Dimensions: 12.24"d x 25"w x 1.5"h (lip)

Graphic Dimensions:

Top Graphic
26.5"w x 30"h / 673.1mm w x 762mm h
Middle Back Graphic
26.5"w x 28.5625"h / 673.1mm w x 725.4875mm h
Bottom Graphic
26.5"w x 29"h / 673.1mm w x 736.6mm h

Additional Information

Shipping dimensions:

32" x 116" x 8"
812.8mm x 406.4mm x 203.2mm

Weight:

6lbs / 2.7kg

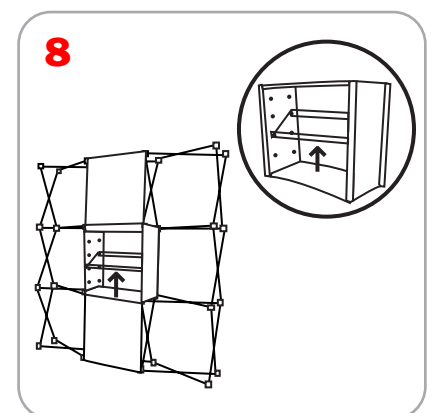
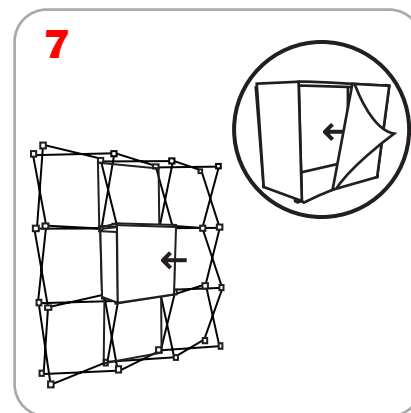
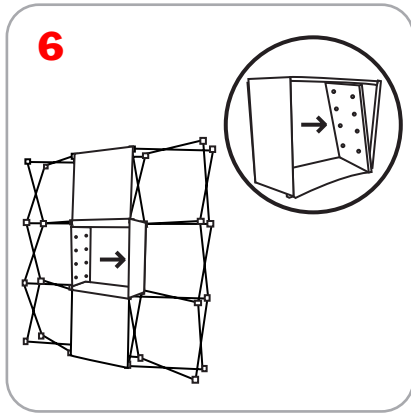
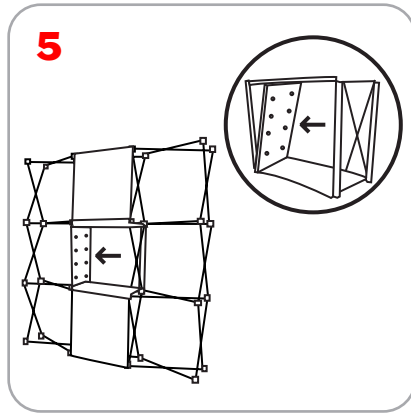
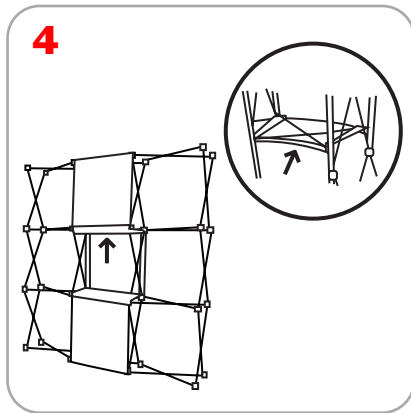
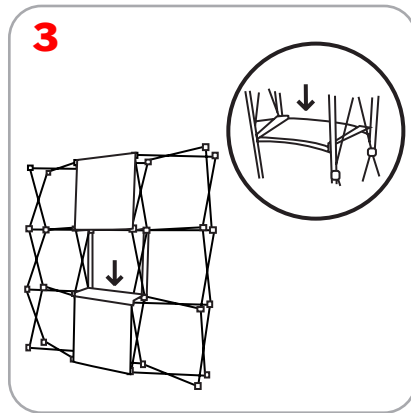
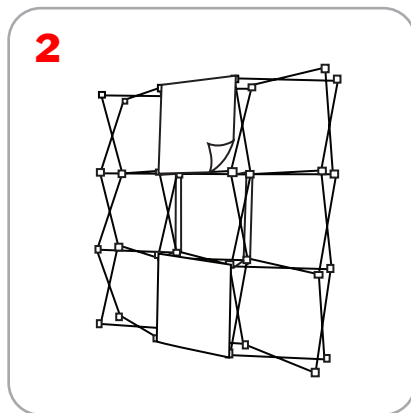
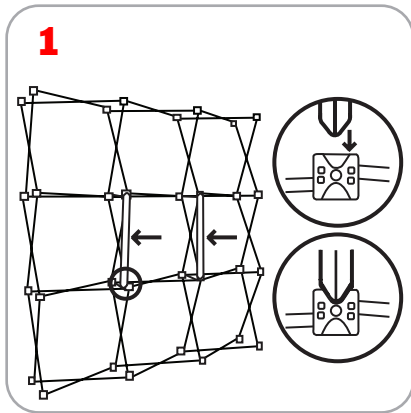
Graphics

- The back, top, and bottom fabric/graphic panels need to be purchased separately
- If printing own graphics, magnet must go directly to edge of panel

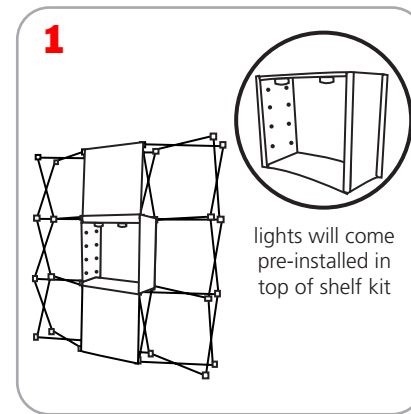
Optional Light Kit

Can be used below the Coyote monitor mount, not above

Frame Assembly



Lights



Optional Light Kit Includes:

- 2 puck lights
- power cord
- power adapter