

Lumina 200

This is a 110 volt ETL approved wall washer floodlight with a straight arm and an adjustable head. The light includes a 200 watt halogen bulb or LED bulb. It has a silk black finish.



Important Facts and Safety Procedures

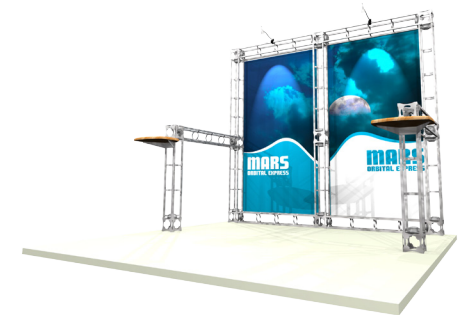
Tungsten Halogen
130 Volt
200 Watts
T3

Important Safety Instructions: 8800-6-3

Read all instructions

WARNING! To reduce the risk of fire, electric shock or injury to persons:

- Minimum distance to lighted object: 16 inches (.5 mm)
- Input: 120V, 60 Hz
- CAUTION: Risk of fire - Use 200 watt or smaller double ended halogen lamp type T-3, 120 volt
- CAUTION: To reduce the risk of a burn during replacing bulb, disconnect power to the unit by unplugging before bulb replacement
- Keep fixture away from combustible materials
- Replace cracked protective shield immediately. Do not use fixture without the shield being installed
- To reduce the risk of exposure to excessive UV radiation, do not remain under light if skin feels warm
- Protect the fixture from impact, scratching or abrasions
- If the cord-set becomes damaged, replace the cord-set before using fixture



We are continually improving and modifying our product range and reserve the right to vary the specifications without prior notice. All dimensions and weights quoted are approximate and we accept no responsibility for variance. E&OE. See Graphic Templates for graphic bleed specifications.

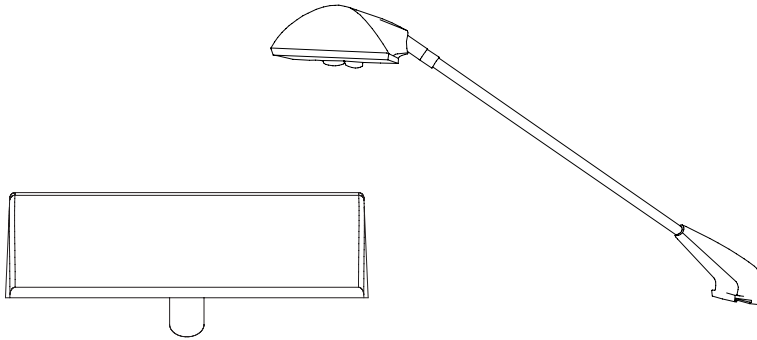
Lumina 200

To Remove Lamp:

Turn off/unplug fixture and allow to cool before replacing lamp. Bulb gets hot quickly. Do not touch hot bulb or shade. Unscrew the two small finger screws that hold glass cover in place. Bulb is spring loaded on both ends. Simply push in to one end and gently pull bulb out. Take care to use a soft cloth as oil from skin can damage the bulb.

To Fit or Replace Lamp:

Take the bulb out of the box taking care not to touch the bulb with your bare fingers. Oil from skin can damage lamp. Use a soft cloth when grasping lamp. Open the fixture by unscrewing the two finger screws. Grasp the bulb with the soft cloth and insert into the fixture. Bulb is spring loaded on both ends. Push one end in and gently slide other end into place.



Optional:

LUMINA SPT CASE SPT-CASE



- EVA semi-rigid lighting case
- foam-lined padded compartments
- holds two Lumina lights & power supply



Optional:

LUMINA FLD CASE FLD-CASE



- EVA semi-rigid lighting case
- foam-lined padded compartments
- stores & transports two lights
- designed for use with Lumina models 1-5



Supplied with light:

UNIVERSAL LIGHT CLAMP KIT UNI-LT-CLP

- comes standard with the Lumina 1, 3, 5, 6, 8, 200 and allows our lights to fit a majority of banners, truss & panel kits
- clamp max width 1.25"



- can purchase alternate clamp that goes to a max width of 2.75"