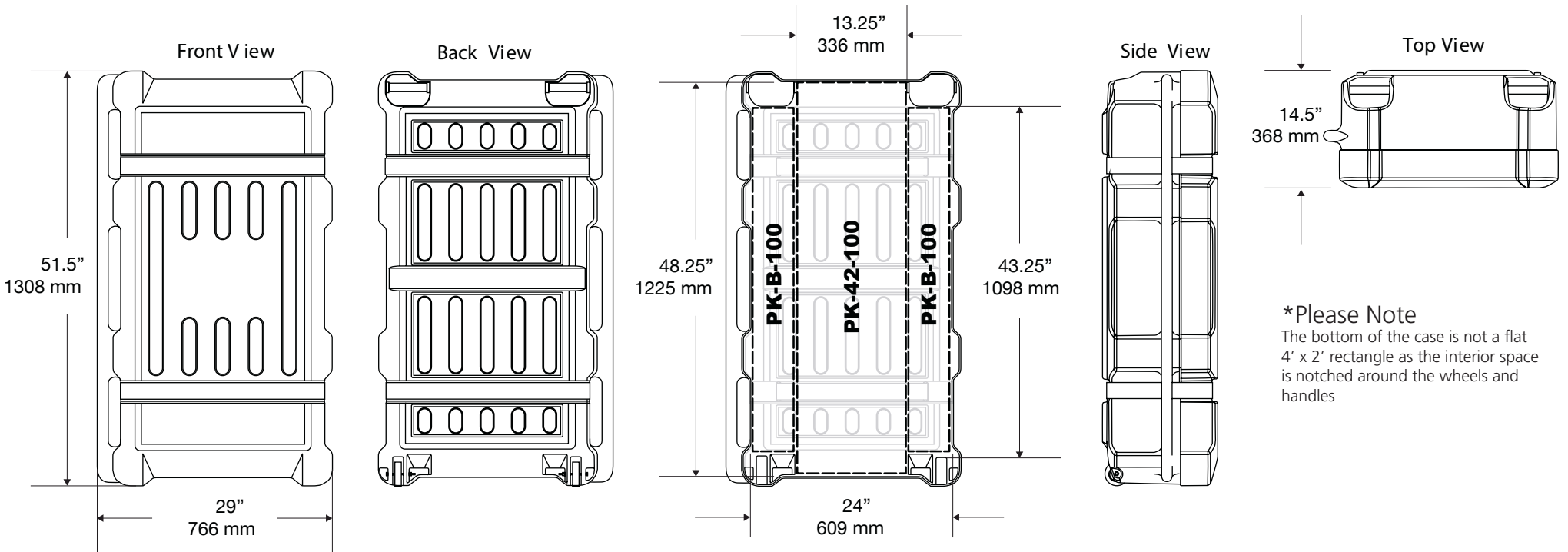


OLBC



***Please Note**
 The bottom of the case is not a flat 4' x 2' rectangle as the interior space is notched around the wheels and handles

OCH2 Case counts for Orbital Express 10x10 kits

Ara: 4 cases	Cygnus: 5 cases
Vela-2: 4 cases	Pluto: 3 cases
Lynx: 3 cases	Mercury: 3 cases
Cetus: 3 cases	Mars: 3 cases
Lyra: 4 cases	Pavo: 4 cases
Carina: 5 cases	Sirius: 3 cases
Castor: 3 cases	

All tables will be shipped separately, not stacked on top

With two full layers, the weight will always be around 100 lbs

3x 45° & 2x 90° & 9x j.box = 98 lbs

3x 46" & 6x 24" = 94 lbs

Each case holds 2 layers of Orbital pieces

1 layer = 3x 46"
 1 layer = 3x 36"
 1 layer = 3x 36" & 6x j.box
 1 layer = 6x 24"
 1 layer = 21x j.box
 1 layer = 2x 90° & 4 j.box
 1 layer = 3x 45° & 3 j.box